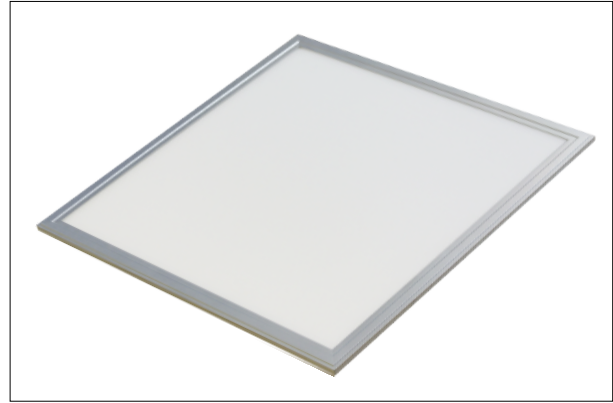


Bravoled 2x2' LED Panel Light, 40 watt 4400 & 5000 Lumen, UL/cUL, DLC

Specifications

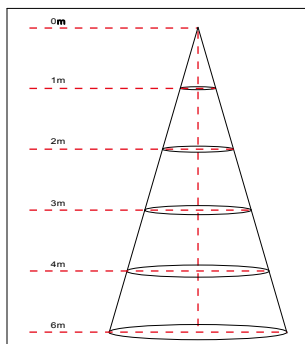
| | |
|-------------------|----------------------|
| Model# | BL-P4-40W-XXXX |
| Description | 2x2' LED Panel Light |
| Power | 40W |
| Lumen Efficiency | 110lm/w & 125lm/w |
| Voltage Input | 100-277Vac |
| Lumen output | 3520lm & 4000lm |
| Color Temperature | 3000K, 4000K, 5000K |
| CRI | Ra>80 |
| LED Chips | SMD 2835 |
| Power Factor | >0.9 |
| Lens | Frosted |
| Operating Temp. | -25 °C ~ 55 °C |
| Certificates | UL/cUL(E359062), DLC |
| warranty | 5 years |
| L70 life span | >50000Hrs |
| Frame | Aluminum |
| Max.Input current | 0.5A |
| Dimmable | Yes(0-10V) |
| Weight | 5.5 Kg (12 lbs) |



Order Information

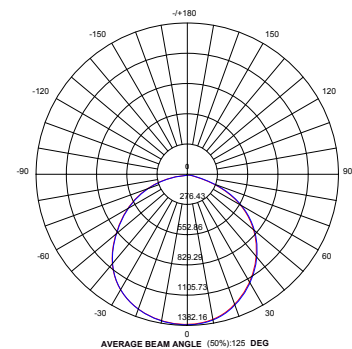
| Item Number | Description | Power | Voltage Input | Dimmable | CCT | Lumen Output | Certificates |
|----------------|----------------------|-------|---------------|----------|-------------------------|------------------|--------------|
| BL-P4-40W-XXXX | 2x2' LED Panel Light | 40W | 100-277Vac | Yes | 3000K 4000K 5000k | 4400lm 5000lm | UL/cUL, DLC |

Lux Chart



| Height | Average Lux (lx) | Light range (dia.) |
|--------|------------------|--------------------|
| 1M | 1091.3 | 306.5cm |
| 2M | 272.8 | 613.0cm |
| 3M | 121.3 | 919.5cm |
| 4M | 68.2 | 1226.0cm |
| 6M | 30.3 | 1839.0cm |

Photometrics

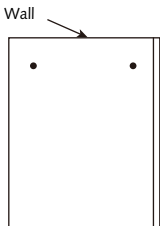
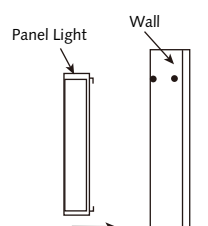
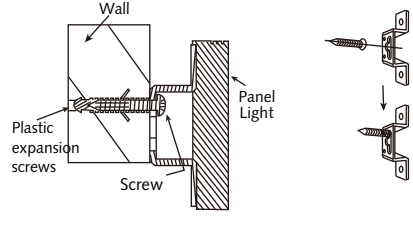





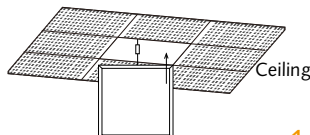
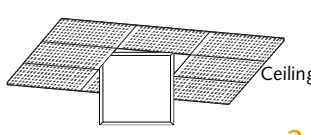
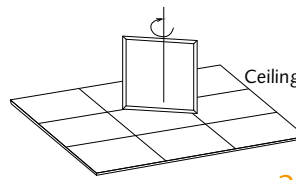
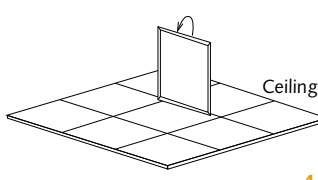
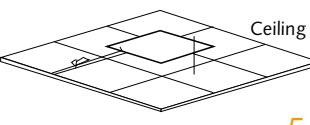
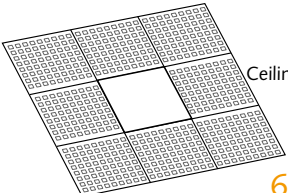
Bravoled 2x2' LED Panel Light, 40 watt 4400 & 5000 Lumen, UL/cUL, DLC

Installation

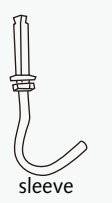

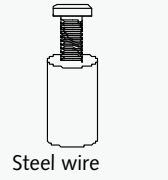
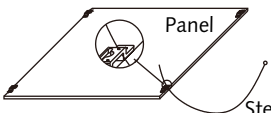
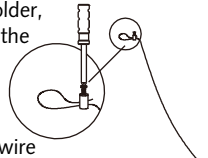
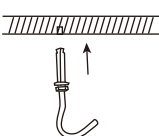
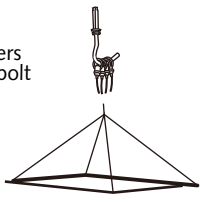
Wall Mount

| | | | |
|---|--|--|---|
|  <p>1. Nailing two plastic expansion screws and other screws into the wall according to the size shown in the illustration</p> |  <p>2. Hanging the panel on the finished screws</p> |  <p>3. This is the combining drawing for wall and panel, please make the installation according to the installation drawing.</p> |  <p>4. Installation finished</p> |
|---|--|--|---|

Recessed Mount

| | | | |
|---|---|---|--|
|  <p>1.</p> |  <p>2.</p> |  <p>3.</p> |  <p>4.</p> |
|  <p>5.</p> |  <p>6.</p> | | |

Suspension

| | | | | |
|---|--|---|---|--|
|  <p>sleeve anchor bolt</p> |  <p>Steel wire</p> |  <p>Steel wire adjustable holder</p> | <p>1. Put the ball end of the steel wire through the hole of the mount bracket of panel</p>  | <p>2. Put the other end of the steel wire through the wire holder, and adjust the length of the steel wire.</p>  <p>Push to adjust length of wire</p> |
| <p>3. mount the sleeve anchor bolt into ceiling</p>  | <p>4. hang the 4 wire holders to the sleeve anchor bolt</p>  | | | |

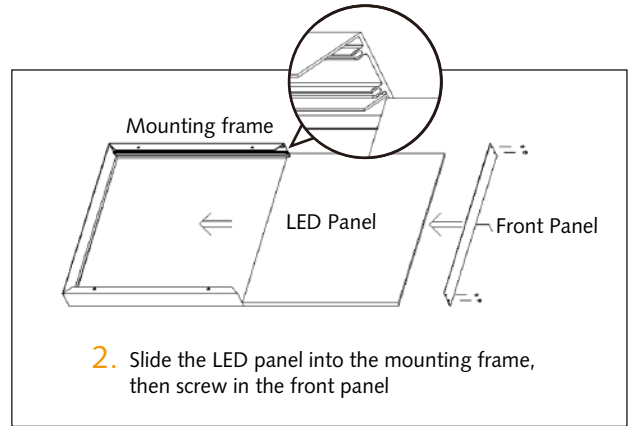
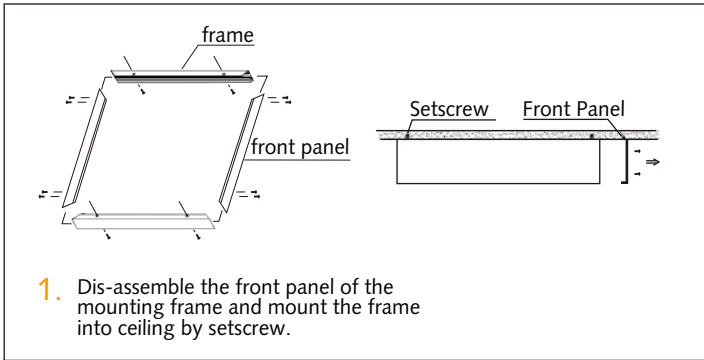


LM79
LM80

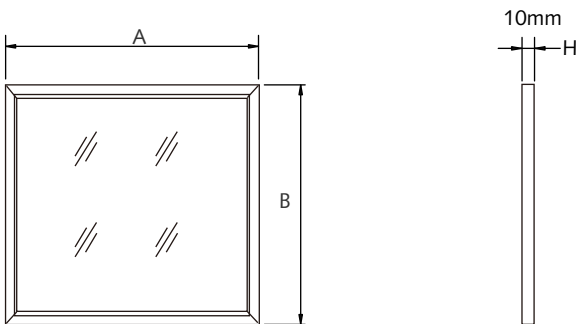


Bravoled 2x2' LED Panel Light, 40 watt 4400 & 5000 Lumen, UL/cUL, DLC

Ceiling Mount

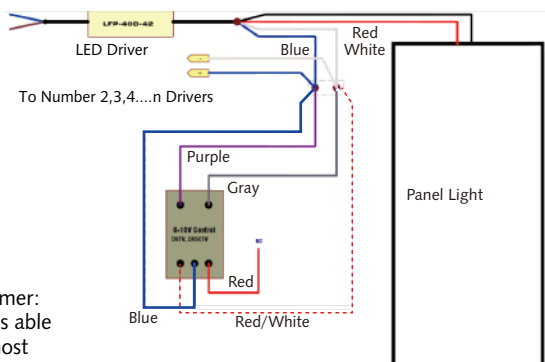


Dimension/Weight

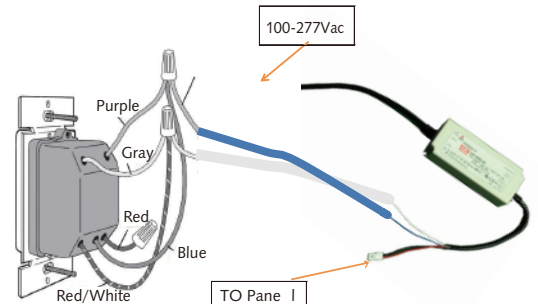


| Size | Dimension (A x B mm) | Weight |
|------|----------------------|----------------|
| 2X2' | 603x603 | 5.5kg (12 lbs) |

Wiring Diagram (0-10V Dimmable Panel)



Dimmer Recommended
Lutron LED 0~10V dimmer:
DVTV, DVSCVT which is able
to be purchased from most
of electricity stores

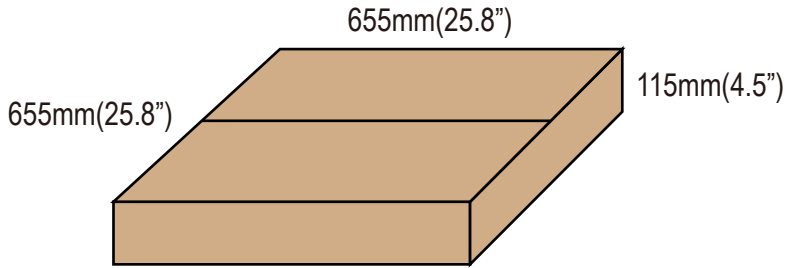




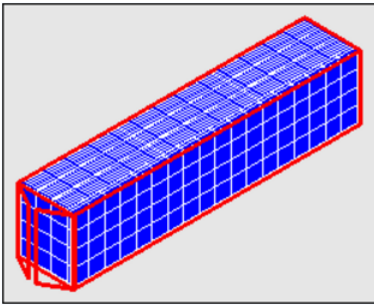
Bravoled 2x2' LED Panel Light, 40 watt 4400 & 5000 Lumen, UL/cUL, DLC

Packaging

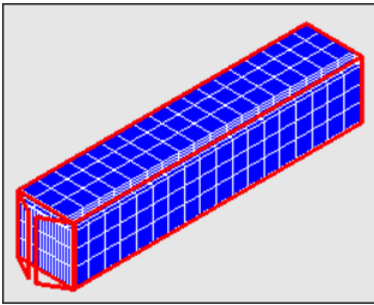
2pcs/CTN G.W.:14 kgs Dimension: 25.8"L x 25.8"W x 4.5"H (655mm x 655mm x 115mm)



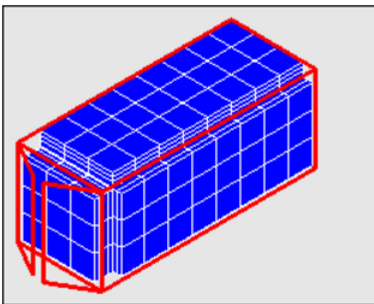
Container Loading QTY



| Size | Corton QTY | Product QTY | Volumn | G.W. |
|-------|------------|-------------|---------------------|----------|
| 40'hq | 1296 ctn | 2592 pcs | 71.64m ³ | 18144kgs |



| Size | Corton QTY | Product QTY | Volumn | G.W. |
|-------|------------|-------------|----------------------|-----------|
| 40'gp | 1134 ctn | 2268 pcs | 62.69 m ³ | 15876 kgs |



| Size | Corton QTY | Product QTY | Volumn | G.W. |
|-------|------------|-------------|---------------------|---------|
| 20'gp | 540 ctn | 1080 pcs | 29.85m ³ | 7561kgs |



LM79
LM80

