

# Bravoled Commercial LED Troffer

TF-22-40W-XXX

## 2X2' LED Troffer Fixture

### Product Description

The product is a commercial spec-grade LED troffer delivering superior energy efficiency, it delivers a visually comforting aesthetic comes standard with 80+ CRI color quality, 0~10V dimming down to 5%, this product is with ultra slim profile, forfreight cost saving and easy installation.

### Performance Summary

**Efficacy:** 105lm/w

**Initial Delivered Lumens:** 4,200 lumens

**Input Power:** 40 watts

**CRI:** 80+

**CCT:** 3000K, 4000K, 5000K

**Input Voltage:** 120-277 VAC

**Warranty :** 5 years

**Controls:** 0-10V dimming to 5%

**Mounting:** 1) Recessed , with earthquake proof hook  
2) Suspension

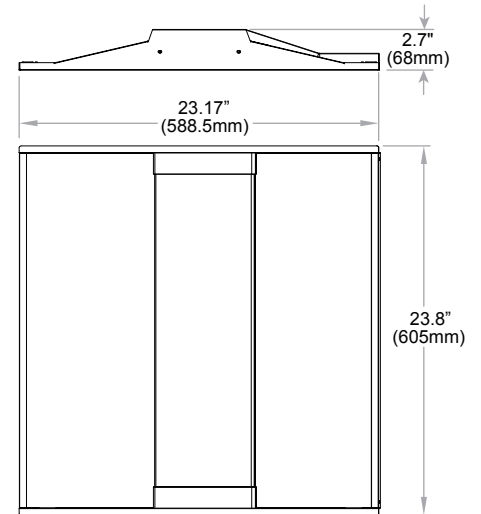
**Product height:** 68mm (2.7")

**Product Weight:** 3.43 kg (7.6 lbs)

### Ordering Information

Example: TF-22-40W-50K-D-S

Product	Size	Wattage	CCT	D/N	S/P
TF	2X2	26W	30K:3000K	D:Dim(0-10V) N:No dim	S:Standard
		40W	40K:4000K		P:Premium
		50K:5000K			



### Product Specifications

#### CONSTRUCTION & MATERIALS

- Durable rolled steel housing provides strength and uniformity
- Ultra-thin 2.7" (68mm) luminaire height and lightweight design effectively target a broad range of plenum spaces and allow for easy installations
- Luminaire is pre-painted for enhanced smooth matte finish
- Luminaire sides and ends are hemmed in for safe, easy handling

#### OPTICAL SYSTEM

- Unique luminaire design creates perfect balance of both horizontal and vertical illumination
- Optimized smooth acrylic lens eliminates pixelation and delivers a low-glare, diffused light distribution

#### ELECTRICAL SYSTEM

- **Power Factor:** >0.9
- **Input Power:** Stays constant over life
- **Input Voltage:** 120-277V, 60Hz
- **Operating Temperature Range:** -20°C - 40°C (-4°F - 104°F)
- **Total Harmonic Distortion:** < 20%

#### CONTROLS

- Continuous dimming to 5% with 0-10V DC control protocol

#### REGULATORY & VOLUNTARY QUALIFICATIONS

- ETL Listed (file number# 4007551)
- Suitable for damp locations
- Designed for indoor use
- DLC qualified. Please refer to

[www.designlights.org/QPL](http://www.designlights.org/QPL) for most updated information

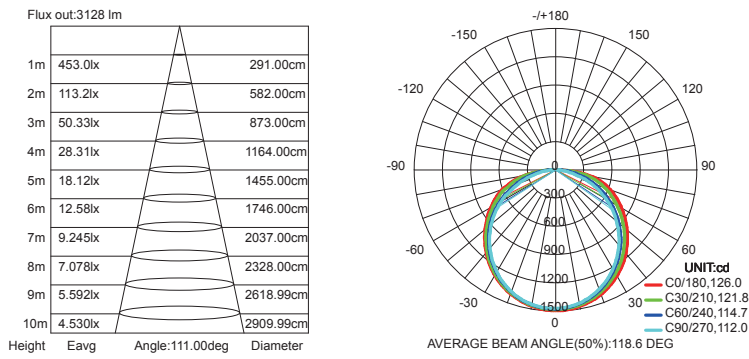


# Bravoled Commercial LED Troffer

TF-22-40W-XXX

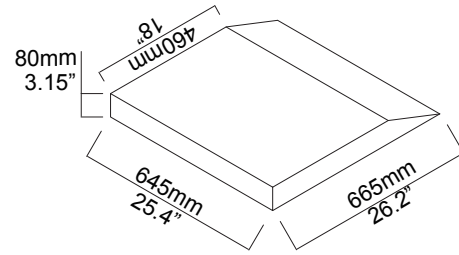
2X2' LED Troffer Fixture

## Lux Chart/Photometrics



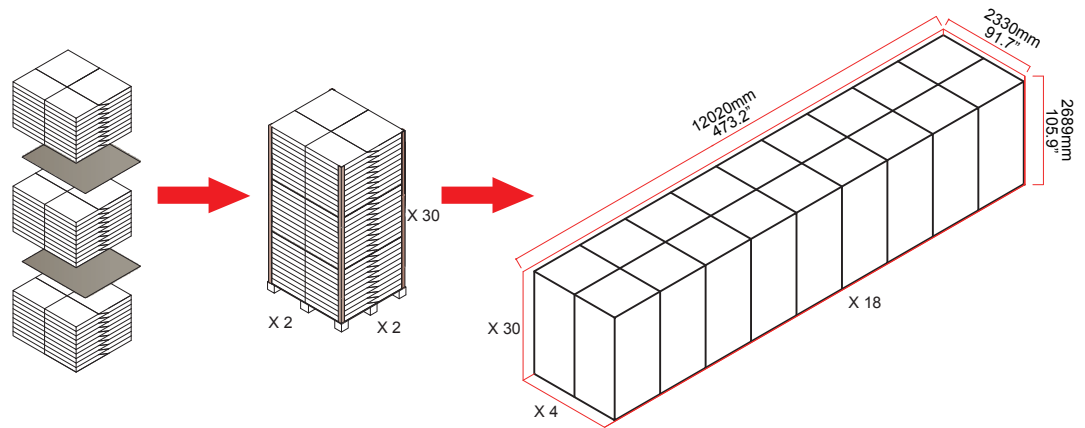
## Shipping Carton

1pcs/CTN G.W.: 4.26 kg  
 Dimension: 26.2"L x 25.4"W x 3.15"H (665 x 645 x 80mm)

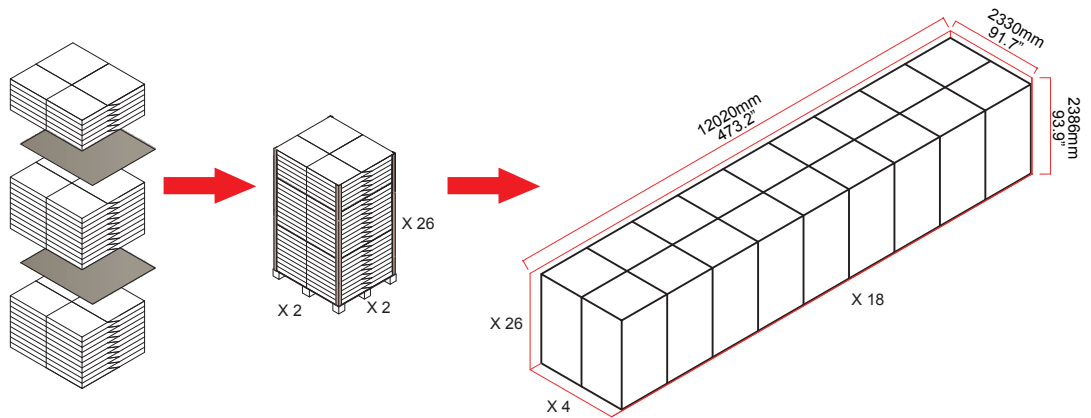


## Container Loading QTY

**40' HQ**  
2160 pcs



**40' GP**  
1872 pcs



**20' GP**  
832 pcs

