



Bravoled LED Disk Light , 15 watt 1100 Lumen, ETL/cETL & Energy Star-V2.0

Specifications

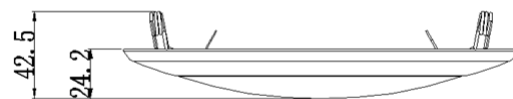
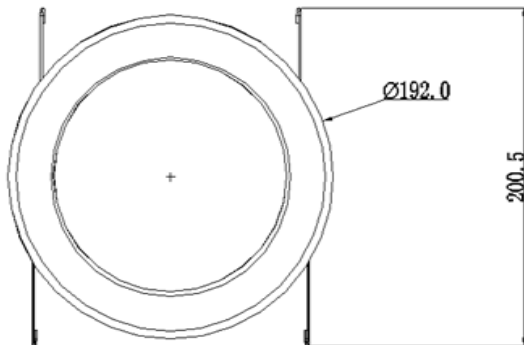
Model#	BL-DSKL7.5-15YYZZ
Rated input voltage	AC120V 60Hz
Enter the maximum current	0.15A
Rated power	15W
Dimmable	TRIAC
CCT	3000K,4000K,5000K
Rated flux	1100lm
Ra	80/90
The beam Angle	110°
Rated life	≥30000h
Material	aluminum alloy, plastic PC
Size	Φ191*24.5mm
Weight	~240G
Using the environment temperature	-20℃-45℃
Using the environment	dry
Storage temperature	-30℃-80℃
Store humidity	10-90%
Certification	ETL/cETL、FCC、Energy Star-V2.0



Order Information

Item Number	Description	Power	Voltage Input	Dimmable	CCT	Lumen Output	Certificates
BL-DSKL7.5-15YYZZ	LED Disk Light	15W	120Vac	TRIAC	3000K,4000K,5000K	1100lm	ETL/cETL , Energy Star-V2.0

Product Size



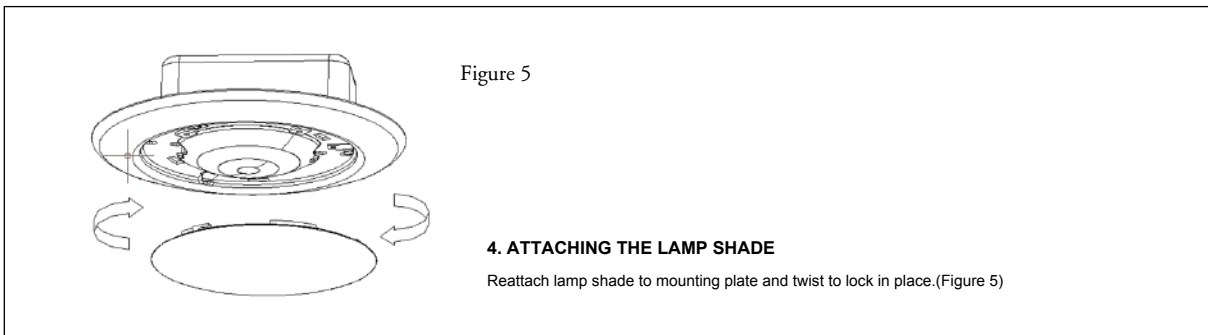
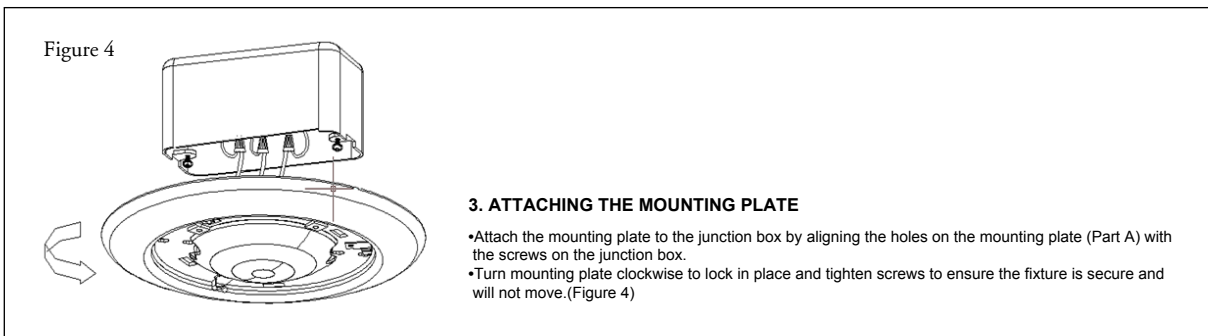
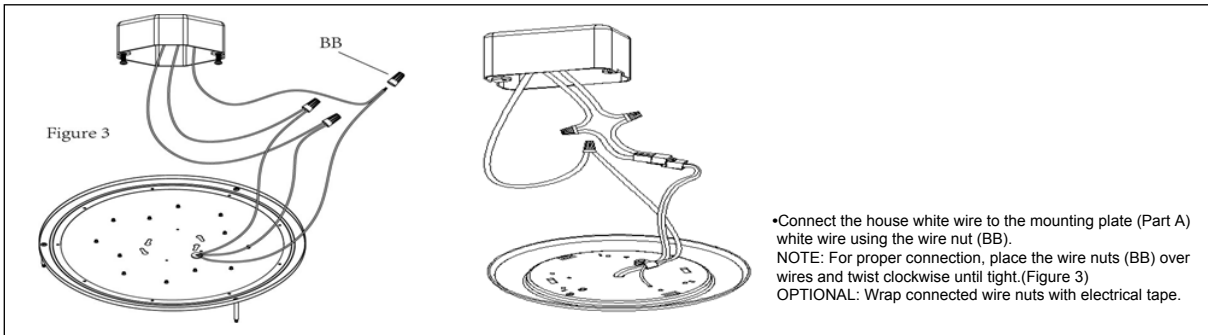
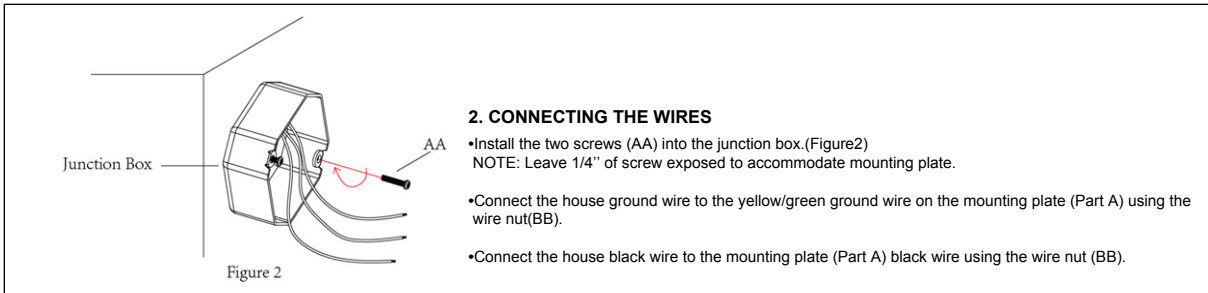
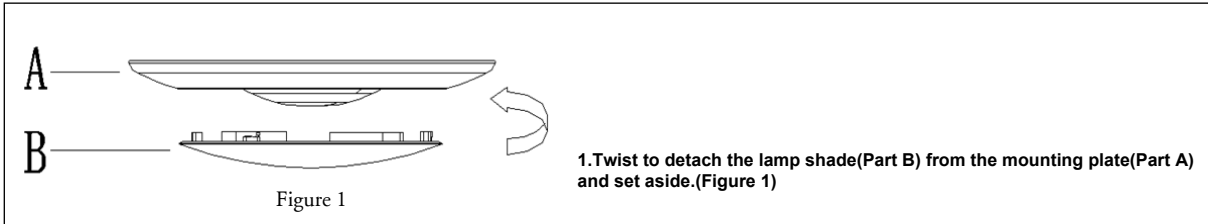
LM79
LM80





Bravoled LED Disk Light , 15 watt 1100 Lumen, ETL/cETL & Energy Star-V2.0

Installation A



LM79
LM80



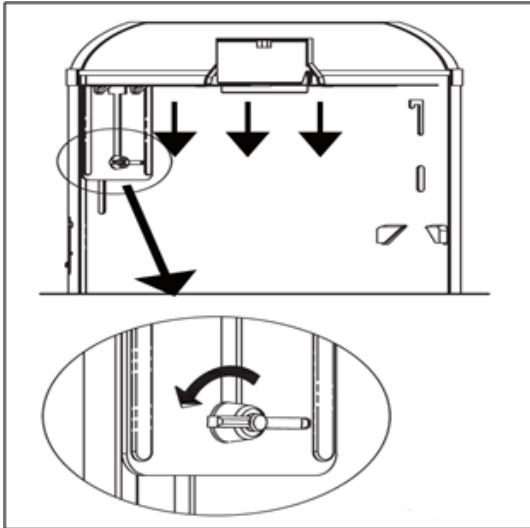
Bravoled LED Disk Light , 15 watt 1100 Lumen, ETL/cETL & Energy Star-V2.0

Installation B

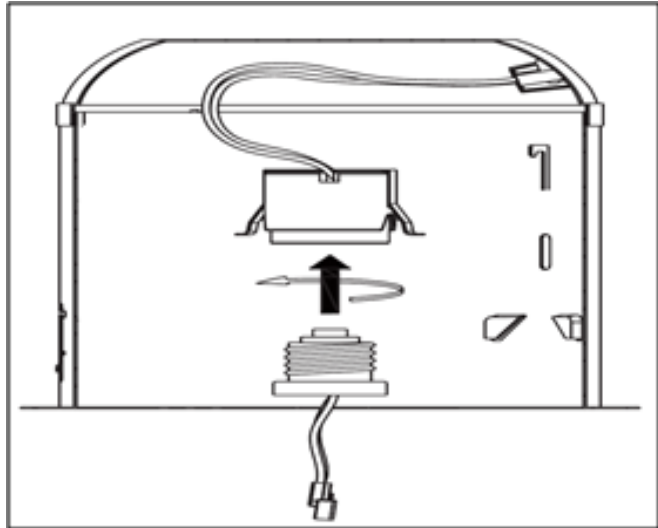
CAUTION: Before beginning installation turn off the circuit breaker and light switch.

•Suitable for installation in the Recessed Installation of 5 inches, 6 inches.

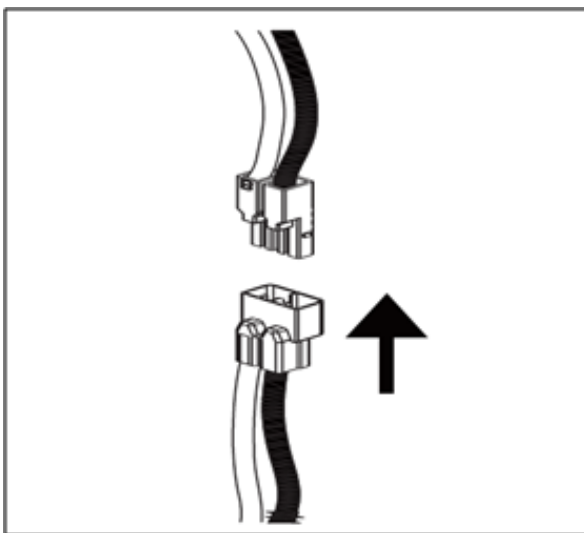
1. Remove mounting bracket and plate from inside existing recessed housing (if installed).



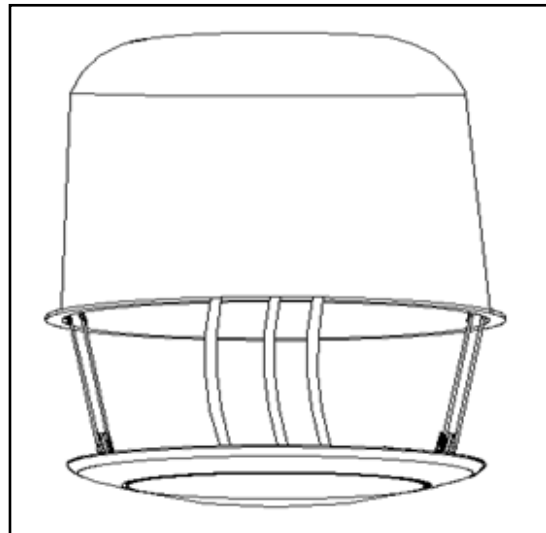
2. Twist adaptor into socket.



3. Insert male connector into female one.



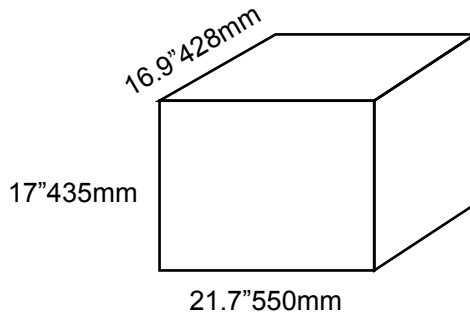
4. Squeeze friction blades together and install into recessed housing. Carefully route wires into fixture and push module up flush to ceiling surface.



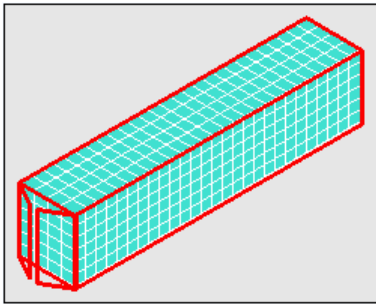
Bravoled LED Disk Light , 15 watt 1100 Lumen, ETL/cETL & Energy Star-V2.0

Packaging

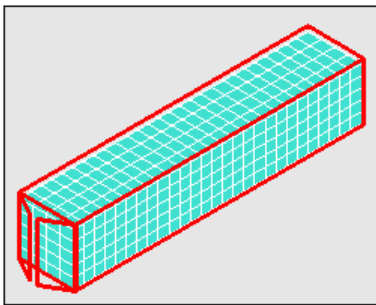
32pcs/CTN G.W.:14 kg Dimension: 21.7"L x 16.9"W x 17"H (550mm x 428mm x 435mm)



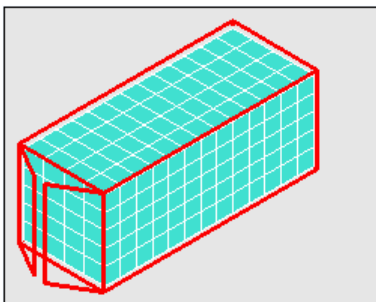
Container Loading QTY



Size	Corton QTY	Product QTY	Volumn	G.W.
40'hq	648 ctn	20736 pcs	70.73 m ³	9072 kg



Size	Corton QTY	Product QTY	Volumn	G.W.
40'gp	540 ctn	17280 pcs	58.94 m ³	7560 kg



Size	Corton QTY	Product QTY	Volumn	G.W.
20'gp	260 ctn	8320pcs	28.38m ³	3640 kg