

Bravoled 30W LED Flood Light, 30 watt 3300 Lumen, ETL/cETL & DLC

## Specifications

Model#	BL-FL30-30W-XX
Description	30W LED Flood Light
Power	30W
Voltage Input	100-277Vac,60HZ
Lumen output	3,300lm
Color Temperature	3,000K - 5,000K
CRI	Ra>80
LED Chips	Philips
Power Factor	>0.95
Lens	Temper Glass
Operating Temp.	-25 °C ~ 55 °C
IP Rating	IP65
Certificates	ETL/cETL , DLC
warranty	5 years
L70 life span	>50000Hrs
Housing Material	Aluminum
Max.Input current	0.4Amp@100Vac
Dimmable	No
Weight	1.2 Kg (2.64 pound)



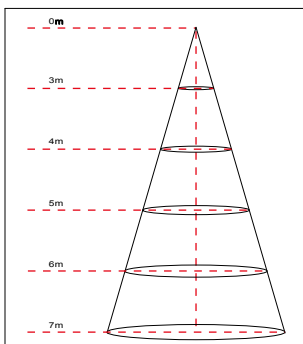
Various installation Types for option

## Order Information

Item Number	Description	Power	Voltage Input	Dimmable	CCT	Lumen Output	Certificates
BL-FL30-30W-XX	30W LED Flood Light	30W	100-277Vac	No	3000K/5000k	3300lm	ETL/cETL,DLC

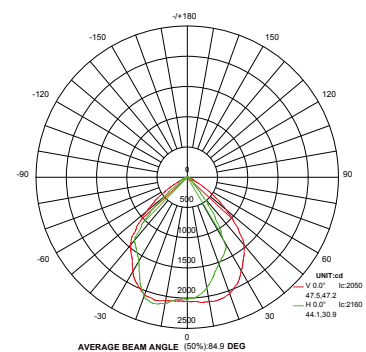
XX standard for color temperature, 30-3000K, 50-5000K

## Lux Chart



Height	Average Lux (lx)	Light range (dia.)
3M	129.1	469.5cm
4M	72.6	626cm
5M	46.5	782.5cm
6M	32.3	939cm
7M	23.7	1095.5cm

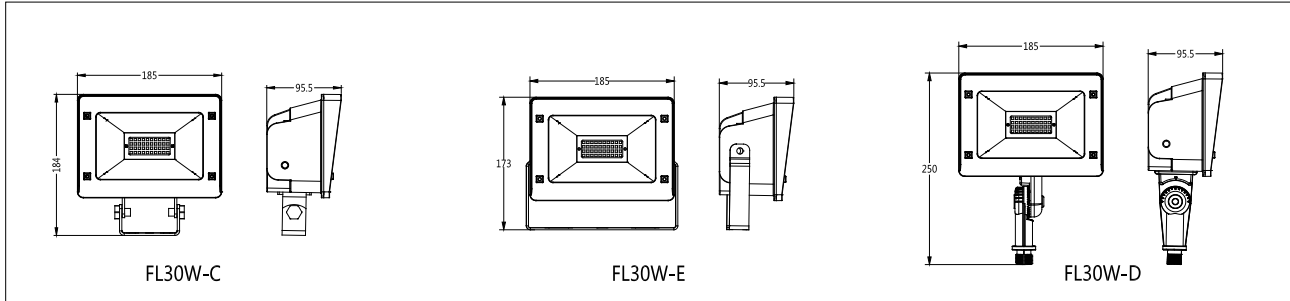
## Photometrics





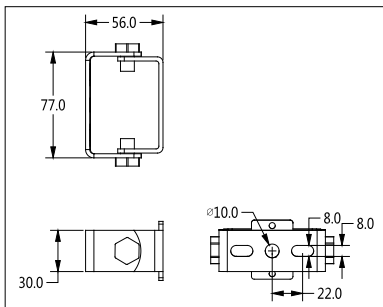
Bravoled 30W LED Flood Light, 30 watt 3300 Lumen, ETL/cETL & DLC

**Product Size (Unit:mm)**

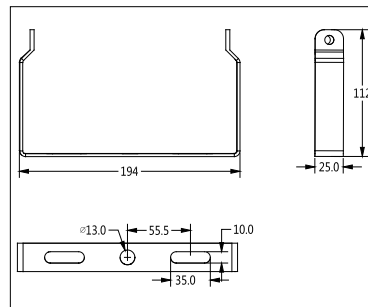


**Adaptor Types (Unit:mm)**

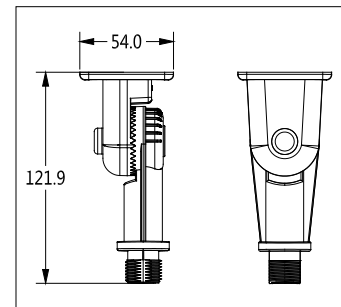
Adaptor"C"



Adaptor"E"

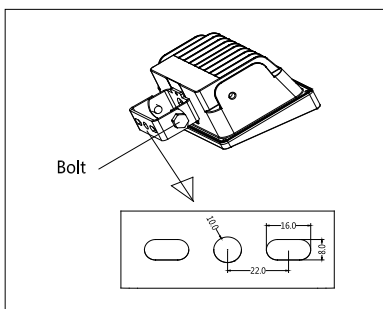


Adaptor"D"

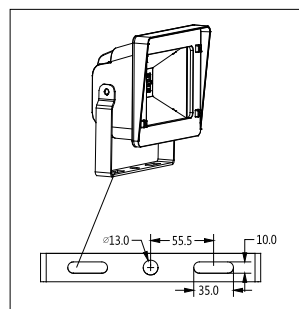


**Installation Instructions (Unit:mm)**

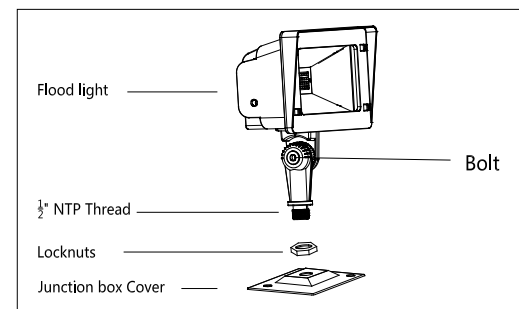
FL30W-C



FL30W-E



FL30W-D



1. Thread the floodlight mounting arm into the 1/2" opening of the cover and secure it with 1/2" locknut ( for Adaptor D only ).
2.
  - > Connect supply ground to luminaire ground (green).
  - > Connect supply common to luminaire neutral (white).
  - > Connect supply black to luminaire line(black).
  - > Pull connectors into Junction box
3. Loosen the side bolt connected to the arm knuckle to aim the fixture up or down. Re-tighten bolt to secure the fixture in the desired position.



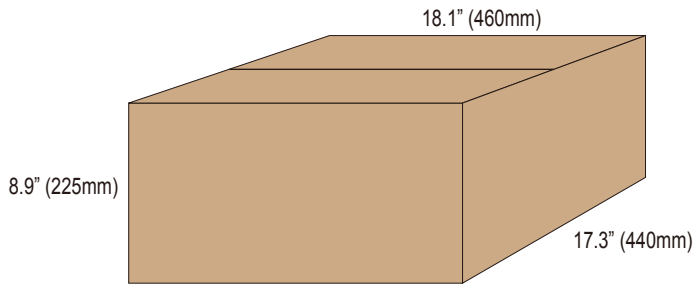
**LM79**  
**LM80**



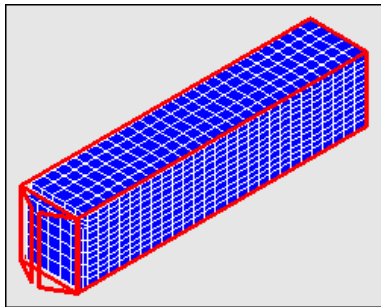
Bravoled 30W LED Flood Light, 30 watt 3300 Lumen, ETL/cETL & DLC

## Packaging

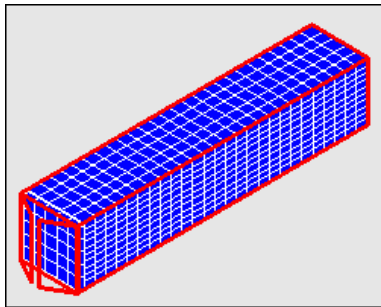
6pcs/CTN G.W.:9.5 kgs Dimension: 18.1"L x 17.3"W x 8.9"H (460mm x 440mm x 225mm)



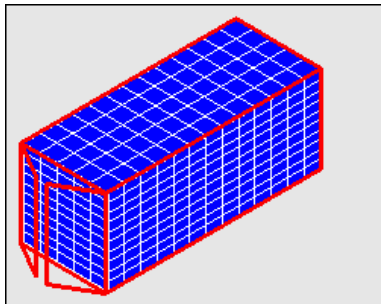
## Container Loading QTY



Size	Corton QTY	Product QTY	Volumn	G.W.
40'hq	1455 ctn	8730 pcs	72.32m <sup>3</sup>	13822.5kgs



Size	Corton QTY	Product QTY	Volumn	G.W.
40'gp	1325 ctn	7950 pcs	65.86 m <sup>3</sup>	12587.5 kgs



Size	Corton QTY	Product QTY	Volumn	G.W.
20'gp	650 ctn	3900 pcs	32.31m <sup>3</sup>	6175kgs



**LM79**  
**LM80**