

Bravoled 4ft Linkable LED shop light, 42 watt 4500 Lumen 48" (4 feet) 5,000K with pull On/Off

## Specifications

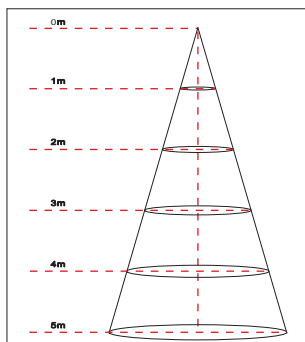
Model#	BL-LKSP4F-42W-XX
Description	4ft LED shop light
Power	42W
Voltage Input	120Vac,60HZ
Lumen output	4,500lm
Color Temperature	5,000K
CRI	Ra>80
Dimmable	No
Housing Finish	White
Lens	Clear Plastic
Product Dimensions	47.4"L x 6.3"W x 2.9"H (1204mm x 160mm x 47mm)
Item Weight	4.25 pounds (1.93kg)
Application	Indoor Only
Certificates	UL/cUL, Energy Star
warranty	5 years
life Span	25,000 hours
Pack size	1 pc
Packaging Dimension	47.6"L x 6.3"W x 3.2"H (1210mm x 160mm x 80mm)
Power Cord	5ft, 3-prong,120V grounded plug included



## Order Information

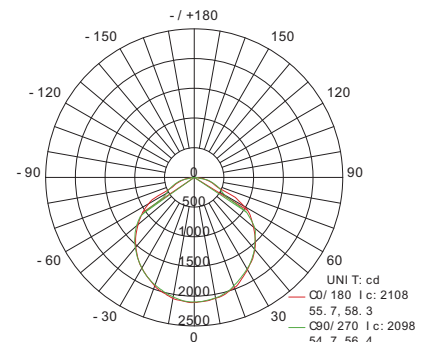
Item Number	Description	Power	Voltage Input	Dimmable	CCT	Lumen Output	Certificates
BL-LKSP4F-42W-XX	4ft LED shop light	42W	120Vac	No	5000K	4500lm	UL/cUL,ES

## Lux Chart



Height	Average Lux (lx)	Light range (dia.)
1M	629	289cm
2M	157	578cm
3M	70	867cm
4M	39	1156cm
5M	25	1445cm

## Photometrics



**LM79**  
**LM80**



Bravoled 4ft Linkable LED shop light, 42 watt 4500 Lumen 48" (4 feet) 5,000K with pull On/Off

## Product Upward View



## Installation Instruction

### ATTACH THE HANGING CHAIN

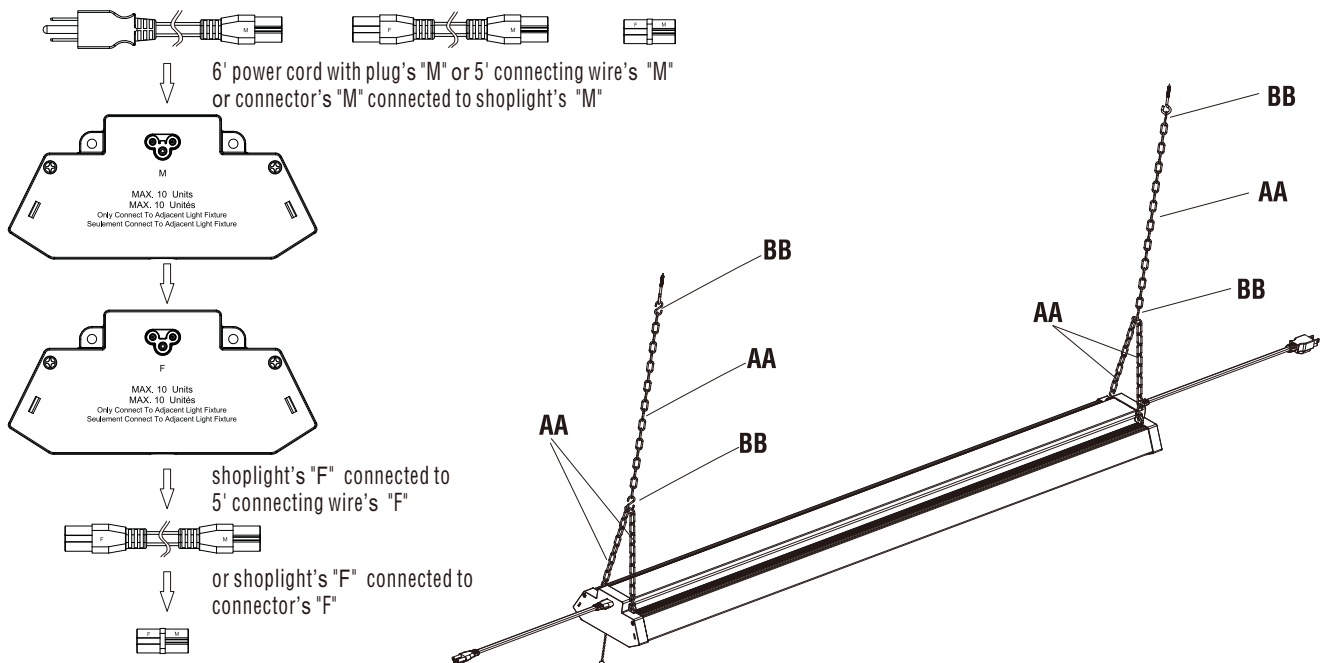
- Using two hanging chains (Part AA) attach a hanging chain to one of the "S" hooks (Part BB) previously attached to each side of the light fixture.

**NOTE:** The hanging chain must be bent in half in order to attach each side to an "S" hook.

- Attach two additional "S hooks" (Part BB) to the center of each hanging chain previously attached.
- Attach the remaining hanging chains (Part AA) to the "S" hooks (Part BB) previously attached.
- Attach the remaining "S" hooks (Part BB) to the hanging chains and attach to the ceiling hooks.
- Plug in power cord (FF), or connecting wire (DD), or connector (EE) to outlet.

"F" connected to "F", "M" connected to "M". EXAMPLE: connector (the same as 6' power cord and 5' connecting wire)

- plug power cord into an outlet to use pull chain to power on



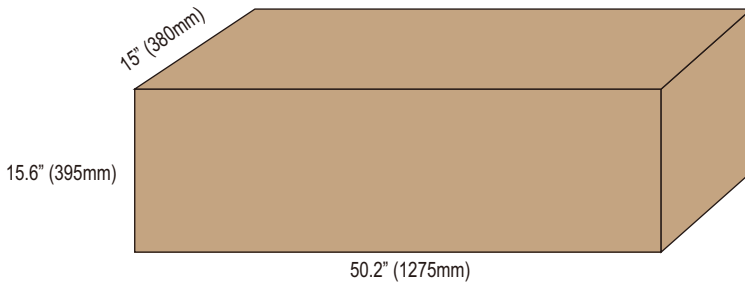
**LM79**  
**LM80**



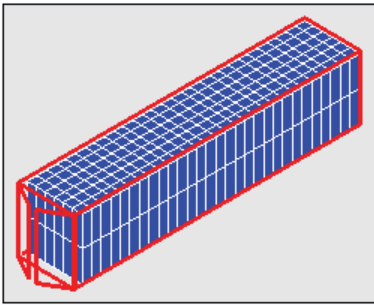
Bravoled 4ft Linkable LED shop light, 42 watt 4500 Lumen 48" (4 feet) 5,000K with pull On/Off

## Packaging

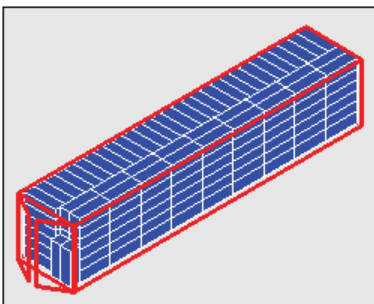
8pc/CTN G.W.:25 kgs Dimension: 50.2"L x 15"W x 15.6"H (1275mm x 380mm x 395mm)



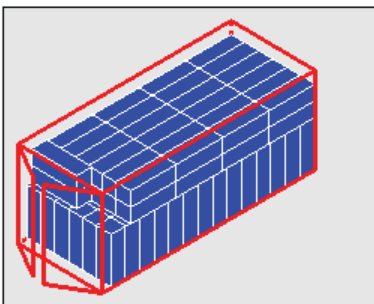
## Container Loading QTY



Size	Corton QTY	Product QTY	Volumn	G.W.
40'hq	348ctn	2784 pcs	70.63m <sup>3</sup>	8700kg



Size	Corton QTY	Product QTY	Volumn	G.W.
40'gp	284 ctn	2272 pcs	57.64 m <sup>3</sup>	7100 kg



Size	Corton QTY	Product QTY	Volumn	G.W.
20'gp	134 ctn	1072 pcs	27.2m <sup>3</sup>	3350kg



**LM79**  
**LM80**