

Bravoled 100W LED Wall Pack Light, 100 watt 11000 Lumen, ETL/cETL & DLC

## Specifications

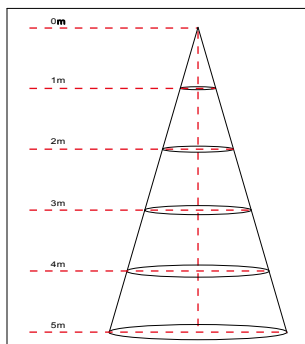
Model#	BL-WP03B-100W-277-XX
Description	100W LED Wall Pack Light
Power	100W
Voltage Input	100-277Vac,60HZ
Lumen output	11000lm
Color Temperature	2700K,4000K,5000K,5700K
CRI	Ra>70
IK Rating	IK07
Power Factor	0.95
Lens	PC
Operating Temp.	-25°C ~ 50°C
IP Rating	IP65
Certificates	ETL/cETL , DLC
Warranty	5 years
L70 life span	>50000Hrs
Housing Material	Die Casting Aluminum
Beam Angle	109 Degree
Dimmable	No
Weight	3.2 Kg (7 pound)
Photocell	Optional
Packaging Dimension	15.7"L x 13"W x 9.4"H (400mmx330mmx240mm)



## Order Information

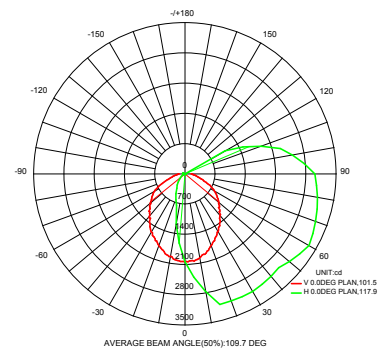
Item Number	Description	Power	Voltage Input	Dimmable	CCT	Lumen Output	Certificates
BL-WP03B-100W-277-XX	100W LED Wall Pack Light	100W	100-277Vac	No	2700K,4000K 5000K,5700K	11000lm	ETL/cETL,DLC

## Lux Chart



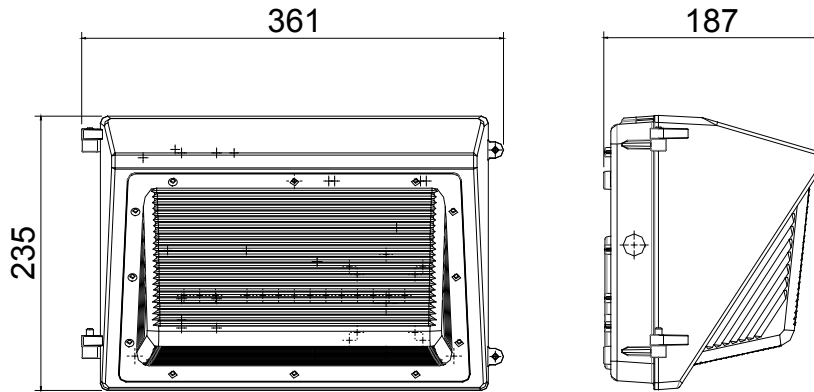
Height	Average Lux (lx)	Light range (dia.)
1M	517.3	298.5cm
2M	129.2	489.6cm
3M	85.4	734.4cm
4M	48.1	979.2cm
5M	30.8	1224.0cm

## Photometrics



Bravoled 100W LED Wall Pack Light, 100 watt 11000 Lumen, ETL/cETL & DLC

## Product Size (Unit:mm)



## Accessories (optional):



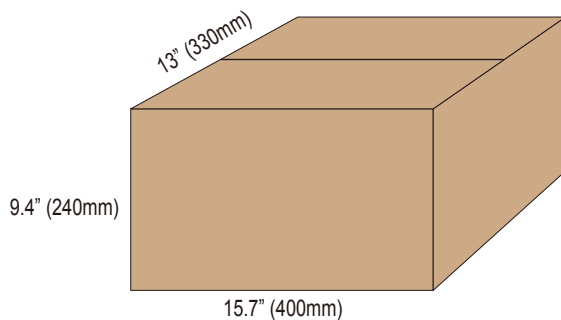
**Cutoff Shield**



**Photocell**

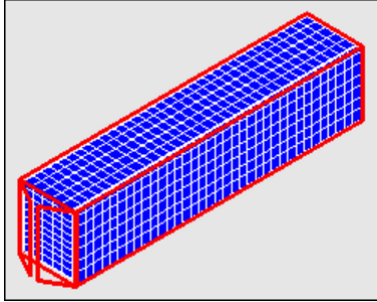
## Packaging

1pcs/CTN G.W.:9.4 kgs Dimension: 15.7"L x 13"W x 9.4"H (400mmx330mmx240mm)

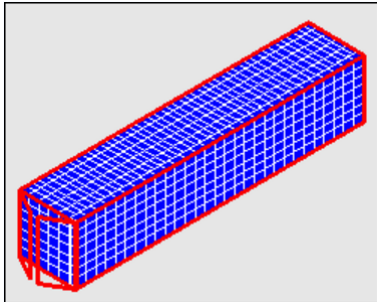


Bravoled 100W LED Wall Pack Light, 100 watt 11000 Lumen, ETL/cETL & DLC

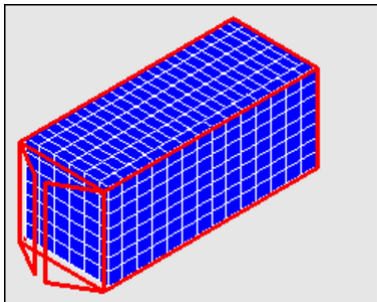
## Container Loading QTY



Size	Corton QTY	Product QTY	Volumn	G.W.
40'hq	1960ctn	1960 pcs	68.31m <sup>3</sup>	7644kgs



Size	Corton QTY	Product QTY	Volumn	G.W.
40'gp	1883 ctn	1883 pcs	65.62 m <sup>3</sup>	7343.7kgs



Size	Corton QTY	Product QTY	Volumn	G.W.
20'gp	903 ctn	903 pcs	31.47m <sup>3</sup>	3521.7kgs