

Bravoled 80W LED Wall Pack Light, 80 watt 8800 Lumen, ETL/cETL & DLC, Full cut off

Specifications

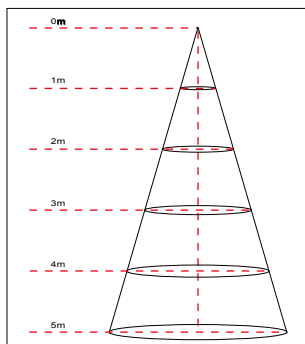
| | |
|---------------------|--|
| Model# | BL-WP03D-80W-277-XX |
| Description | 80W LED Wall Pack Light |
| Power | 80W |
| Voltage Input | 100-277Vac,60HZ |
| Lumen output | 8800lm |
| Color Temperature | 2700K,4000K,5000K,5700K |
| CRI | Ra>70 |
| IK Rating | IK07 |
| Power Factor | 0.95 |
| Lens | Temper Glass |
| Operating Temp. | -25 °C ~ 50 °C |
| IP Rating | IP65 |
| Certificates | ETL/cETL , DLC |
| Warranty | 5 years |
| L70 life span | >50000Hrs |
| Housing Material | Die Casting Aluminum |
| Beam Angle | 109 Degree |
| Dimmable | No |
| Photocell | Optional |
| Packaging Dimension | 13.4"L x 23.6"W x 14.2"H (340mmx600mmx360mm) |



Order Information

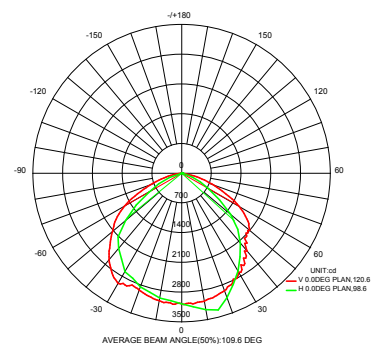
| Item Number | Description | Power | Voltage Input | Dimmable | CCT | Lumen Output | Certificates |
|---------------------|-------------------------|-------|---------------|----------|----------------------------|--------------|--------------|
| BL-WP03D-80W-277-XX | 80W LED Wall Pack Light | 80W | 100-277Vac | No | 2700K,4000K 5000K,5700K | 8800lm | ETL/cETL,DLC |

Lux Chart



| Height | Average Lux (lx) | Light range (dia.) |
|--------|------------------|--------------------|
| 1M | 889.1 | 283.3cm |
| 2M | 330.4 | 464.7cm |
| 3M | 146.8 | 697.0cm |
| 4M | 82.6 | 929.4cm |
| 5M | 52.9 | 1161.7cm |

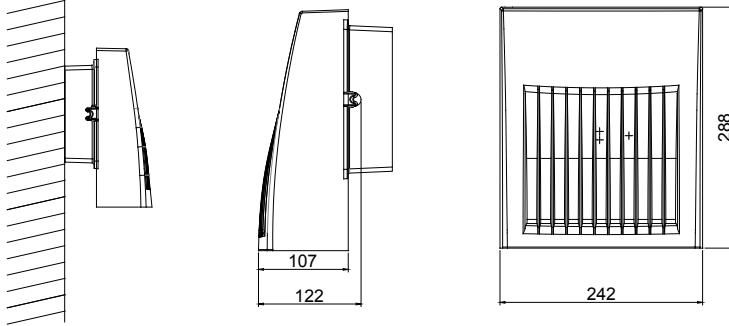
Photometrics





Bravoled 80W LED Wall Pack Light, 80 watt 8800 Lumen, ETL/cETL & DLC, Full cut off

Product Size (Unit:mm)



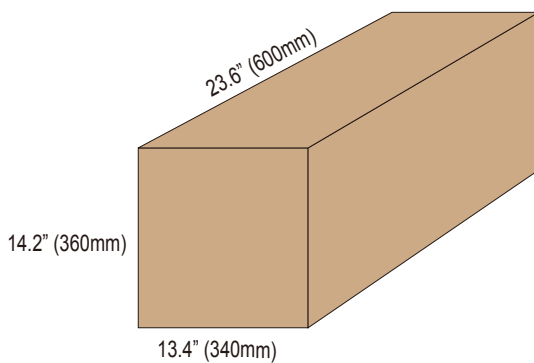
Accessories (optional):



Photocell

Packaging

2pcs/CTN G.W.:9.2 kgs Dimension: 13.4"L x 23.6"W x 14.2"H (340mmx600mmx360mm)

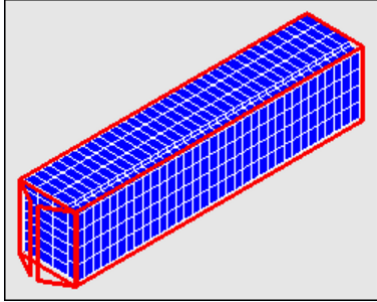


LM79
LM80

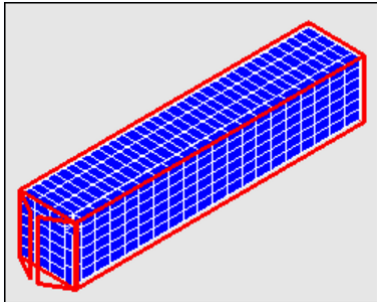


Bravoled 80W LED Wall Pack Light, 80 watt 8800 Lumen, ETL/cETL & DLC, Full cut off

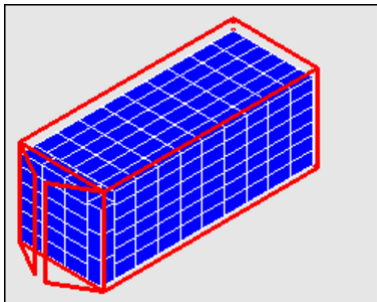
Container Loading QTY



| Size | Corton QTY | Product QTY | Volumn | G.W. |
|-------|------------|-------------|---------------------|---------|
| 40'hq | 850 ctn | 1700 pcs | 67.15m ³ | 7820kgs |



| Size | Corton QTY | Product QTY | Volumn | G.W. |
|-------|------------|-------------|----------------------|-----------|
| 40'gp | 729 ctn | 1458 pcs | 57.59 m ³ | 6706.8kgs |



| Size | Corton QTY | Product QTY | Volumn | G.W. |
|-------|------------|-------------|---------------------|---------|
| 20'gp | 345 ctn | 690 pcs | 27.25m ³ | 3174kgs |



LM79
LM80