

Bravoled 1 x 1 LED Flat Panel light, 10 watt 1100 Lm & 1250Lm, ETL/cETL & DLC

Specifications

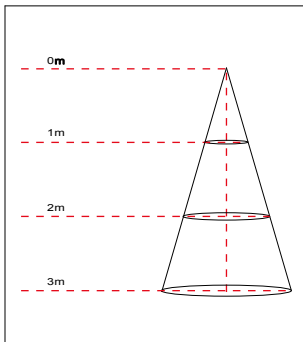
Model#	BL-FP2-10W-XXXXX
Description	1 x 1 LED Flat Panel light (Double Sides Flat, Driver Inbuilt)
Power	10W
Voltage Input	100-277Vac
Efficacy	100 Lm/w & 125 Lm/w
Color Temperature	3000K,4000K,5000K
CRI	80
Lumen output	1100 lm & 1250 lm
Operating Temp.	-25 C ~ 50 C
IP Rating	IP20
Certificates	ETL/cETL & DLC
Warranty	5 years
L70 life span	30000Hrs
Dimmable	Yes
Dimension	11.8" W x 11.8" L x 1" H (300 mm x 300 mm x 24 mm)



Order Information

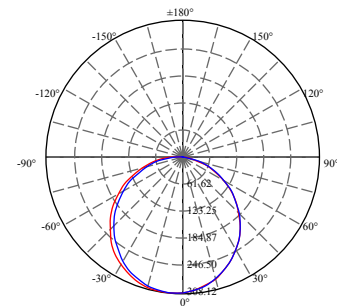
Item Number	Description	Power	Voltage Input	Dimmable	CCT	Lumen Output	Certificates
BL-FP2-10W-XXXXX	1 x 1 LED Flat Panel light	10W	100-277Vac	Yes	3000K 4000K 5000K	1100lm 1250lm	ETL/cETL,DLC

Lux Chart



Height	Average Lux (lx)	Light range (dia.)
1M	248.2	325.7cm
2M	62.0	651.5cm
3M	27.6	977.2cm

Photometrics

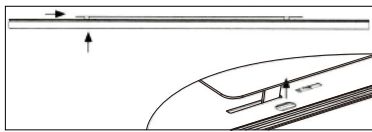
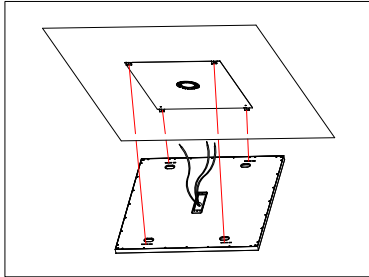




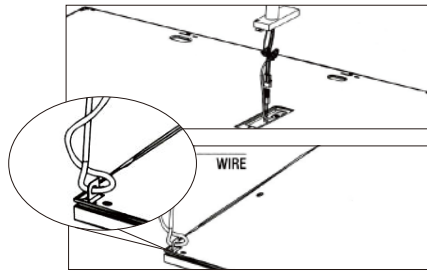
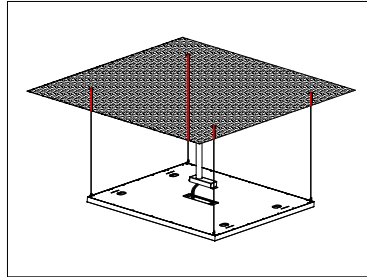
Bravoled 1 x 1 LED Flat Panel light, 10 watt 1100 Lm & 1250Lm, ETL/cETL & DLC

Installation

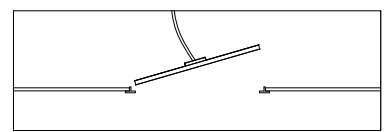
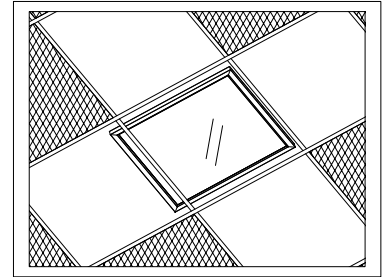
Residential Installation



Suspension Installation-T Bar

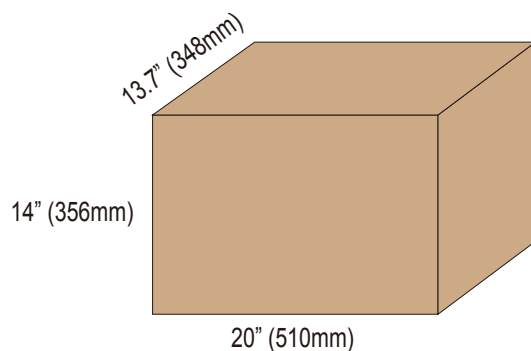


Recessed Installation-T Bar



Packaging

12pcs/CTN Dimension: 20"L x 13.7"W x 14"H (510mmx348mmx356mm)

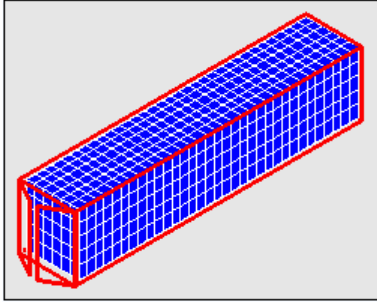


LM79
LM80

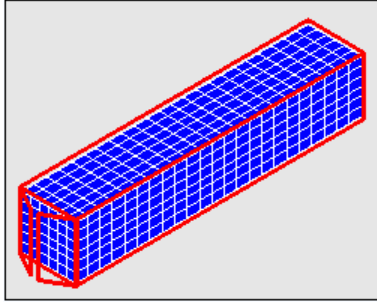


Bravoled 1 x 1 LED Flat Panel light, 10 watt 1100 Lm & 1250Lm, ETL/cETL & DLC

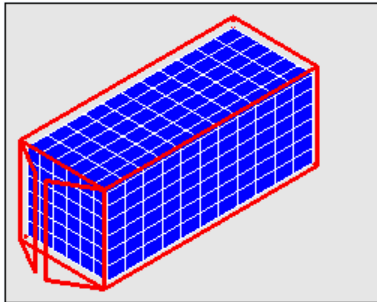
Container Loading QTY



Size	Corton QTY	Product QTY	Volumn
40'hq	990 ctn	11880 pcs	67.45m ³



Size	Corton QTY	Product QTY	Volumn
40'gp	828 ctn	9936 pcs	56.42m ³



Size	Corton QTY	Product QTY	Volumn
20'gp	396 ctn	4752 pcs	26.98m ³