



Bravoled 8Ft LED Strip Light, 104Watt 10400lumen 8Ft

Specifications

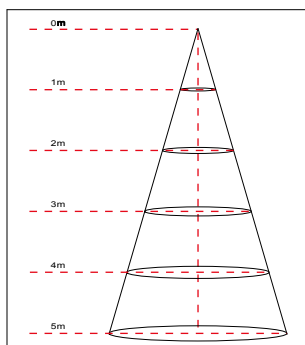
Model#	BL-STP-96-104W-XTTD
Description	8Ft LED Strip Light
Power	104W
Voltage Input	AC120~277V, 50~60HZ
Lumen output	10400lm
Color Temperature	5000K
CRI	Ra>80
Housing Finish	Steel base with white powder coating
Application	Indoor Only
Lens	Frosted diffuse PC lens
Operating Temp.	-20 °C ~ 55 °C
IP Rating	IP20
Certificates	ETL/cETL(file# 4007551), DLC
warranty	5 years
Life Span	50,000 hours
Dimmable	0~10V dimmable
Item Weight	6.17 Kg (13.57 lbs)
Product Dimension	96" x 5" x 3.28" (2438.4 x 127 x 83.69 mm)
Pack Size	1pc
Packaging Dimension	98.4" x 5.4" x 3.8" (2499.36 x 137.16 x 96.52 mm)



Order Information

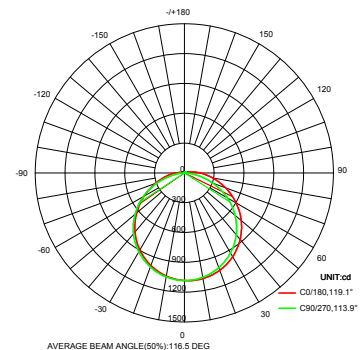
Item Number	Description	Power	Voltage Input	Dimmable	CCT	Lumen Output	Certificates
BL-STP-96-104W-XTTD	8Ft LED Strip Light	104W	120~277Vac	Optional	4000k 5000k	10400lm	ETL/cETL, DLC

Lux Chart



Height	Average Lux (lx)	Light range (dia.)
1M	281.7	323.2cm
2M	70.43	646.4cm
3M	31.3	969.6cm
4M	17.61	1292.8cm
5M	11.27	1616.0cm

Photometrics

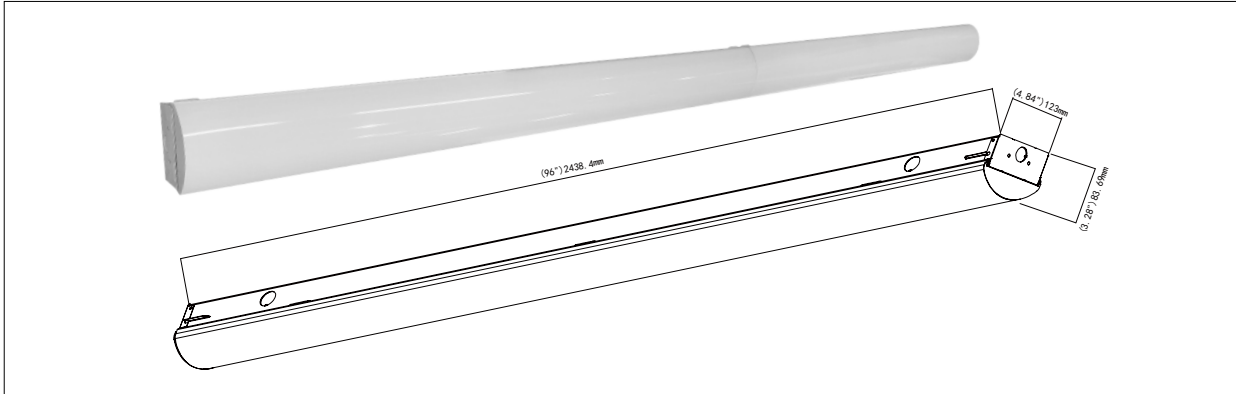


LM79
LM80

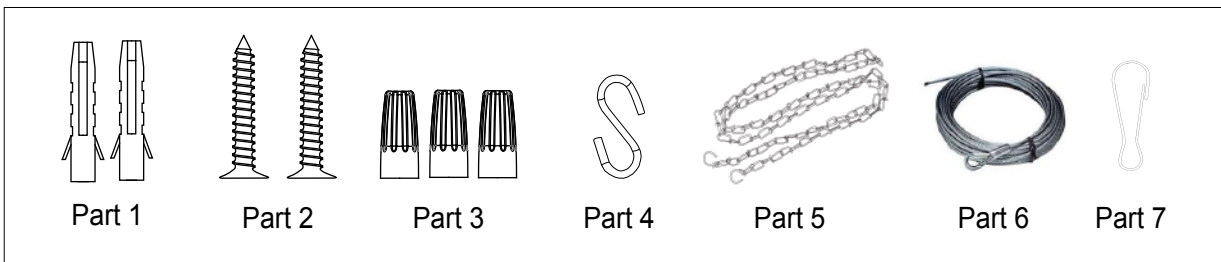


Bravoled 8Ft LED Strip Light, 104Watt 10400lumen 8Ft

Dimensions And Pictures



Accessories (optional):



Accessories package List

Part	Name	Installation Option			
		Surface Mounting	Suspended Mounting 1	Suspended Mounting 2	Suspended Mounting 3
1	toggle nut	2pcs			
2	self-tapped screw M4*30	2pcs			
3	wire nuts	1pcs or 3pc	1pcs or 3pc	1pcs or 3pc	1pcs or 3pc
4	S hook		4pcs		2pcs
5	chain		2pcs		2pcs
6	aircraft cable			4pcs	
7	hanging hook			4pcs	

Note: 3 wire nuts for dimmable version, 1 wire nut for non-dimmable version.



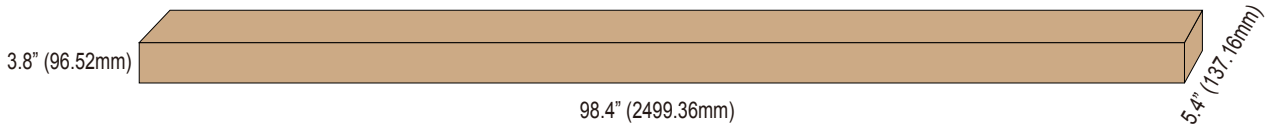
LM79
LM80



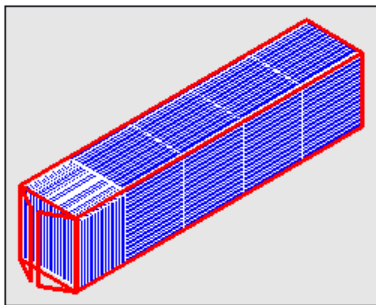
Bravoled 8Ft LED Strip Light, 104Watt 10400lumen 8Ft

Packaging

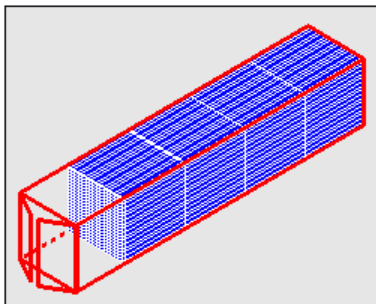
1pc/CTN G.W.:7.11 kg Dimension: 98.4" x 5.4" x 3.8" (2499.36 x 137.16 x 96.52 mm)



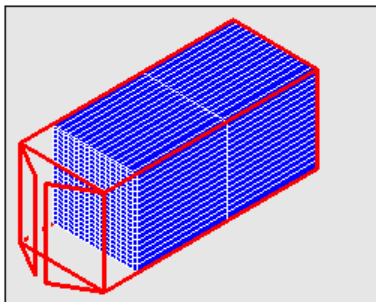
Container Loading QTY



Size	Corton QTY	Product QTY	Volumn	G.W.
40'hq	1853ctn	1853 pcs	73.16m ³	13174.83kg



Size	Corton QTY	Product QTY	Volumn	G.W.
40'gp	1384 ctn	1384 pcs	54.64 m ³	9840.24 kg



Size	Corton QTY	Product QTY	Volumn	G.W.
20'gp	692 ctn	692 pcs	27.32m ³	4920.12kg



LM79
LM80