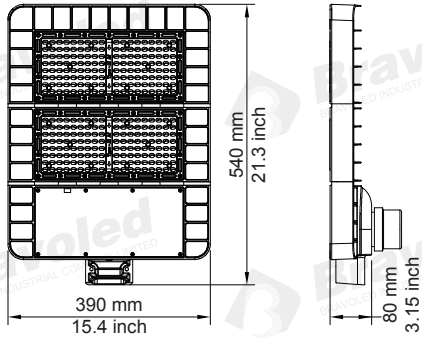


BL-PKL-240W-120-III-50K-D-P



Driver Info

Type:	Constant Current
120V:	Yes
277V:	Yes
480V:	N/A
Input Watts:	240W
Efficiency:	96%

LED Info

Watts:	240W
Color Temp:	5000K
Color Accuracy:	70CRI
L70 Lifespan:	50000
Lumens:	30000
Efficacy:	125LPW

Specification parking lot light available in IES Type III distributions. For use in parking lots, Roadways, pathways and general area lightings. 5-years warranty.

Color: Bronze

Weight: 14.9lbs(6.75Kg)

Technical Specifications

Listings

ETL Listing:

Suitable for wet locations.
ETL code: 4007551

DLC Listed

This product is on the Design Lights Consortium(DLC) Qualified Products List and is eligible for rebates from DLC Member Utilities.

IESNA LM-79 & IESNA LM-80 Testing:

This product has been tested by an independent laboratory in accordance with IESNA LM-79 and 80, and have received the Department of Energy" Lighting Facts" label.

Electrical

Driver:

Constant Current, Class 2, 110-277Vac,50/60HZ, 0.95Amp@100Vac, Inventronics Brand.

THD:

<20%

Power Factor:

>0.95

Dimming Driver:

Driver includes dimming control wiring for 0-10V dimming systems, Requires separate 0-10V DC dimming circuit, Dims as low as 10%.

Photocell:

This product is equipped with socket for photocell.

Surge Protection:

6kV

LED Characteristics

Lifespan:

50,000-hour LED lifespan based on IES LM-80 results and TM-21 calculations.

LEDs:

Long-life, high-efficiency SMD3030, patent free.

Color Stability:

Comply with DLC's requirements.

Color Uniformity

CCT(Correlated Color Temperature) follows the guidelines of the American National Standard for Specifications for the Chromaticity of Solid State Lighting(SSL) Products, ANSI C78.377-2015.

Construction

IES Classification:

Type III Distribution.
Optional of Type IV and Type V by different Models.

Cold Weather Starting:

Minimum starting temperature is -40°F(-40°C)

Ambient Temperature

Suitable for use in 104°F(40°C) ambient Temperatures.

Housing:

Precision die-cast aluminum housing.

Lens:

Clear acrylic lens with integrated optics

Mounting:

Mounts to square poles, round poles or wall etc. by different type of adaptors.

IP Rating:

Wet Location.

Gaskets:

High Temperature silicone gaskets.

Finish:

Formulated for high-durability and long lasting color.

Green Technology:

Mercury and UV free RoHS compliant components
Polyester powder coat finish formulated without the use of VOC or toxic heavy metals.

Other

5 Yr Limited Warranty:

Fixture operation and paint finish are covered for a period of 5 years.

Accessories options:

Photocell
Shorting cap
Mounting adaptors type A/B/C/F

Order Information

BL	PKL	Wattage	Input Voltage	IES Type III/IV/V	CCT	D/N	P/N
BL	PKL	100W 150W 200W 240W 300W	120: 110-277Vac 480: 277-480Vac	III: TYPE III IV: TYPE IV V: TYPE V	40K: 4000K 50K: 5000K 57K: 5700K	D: Dim(0-10V) N: No dim	P: W/ Photocell Socket N: W/O Photocell Socket
BL	PKL						

Accessories

Photocell Options:



Photocell



Shorting Cap

Mounting Adaptor Options:



Type A: Slip Fitter



Type B: Square or Round Pole Mount



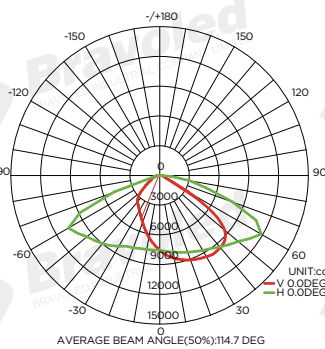
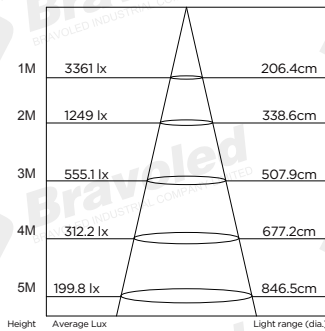
Type C: Trunnion



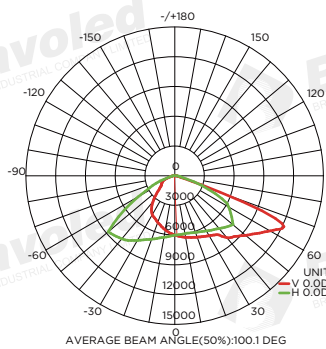
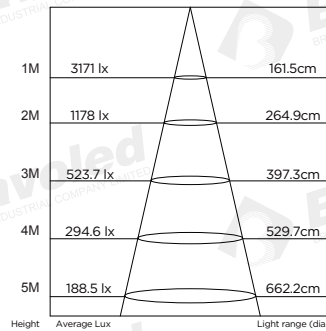
Type F: Wall Mount

Lux Chart/Photometrics

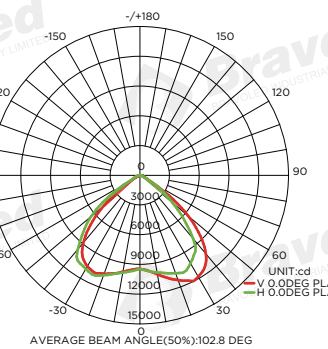
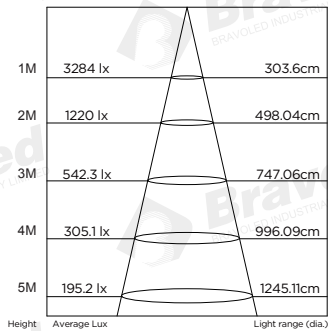
Type III



Type IV



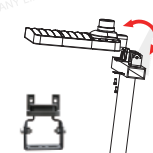
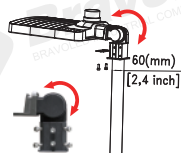
Type V



Installation Options

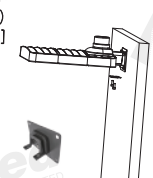
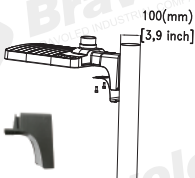
A: Slip Fitter

C: Trunnion



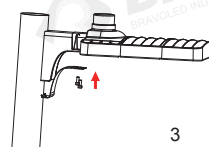
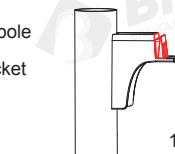
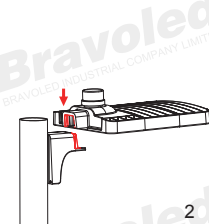
B: Square or Round Pole Mount

F: Wall Mount



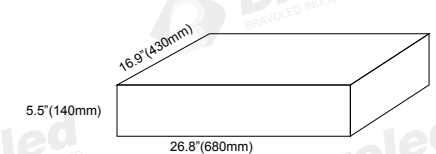
Installation Steps

1. Install mount bracket on to pole
2. Set fixture on to mount bracket
3. Wire and tighten screws



Packaging

1pcs/CTN G.W.:9.47 kg
 Dimension: 26.8"L x 16.9"W x 5.5"H (680mm x 430mm x 140mm)



40'hq	1583 pcs
40'gp	1400 pcs
20'gp	680 pcs