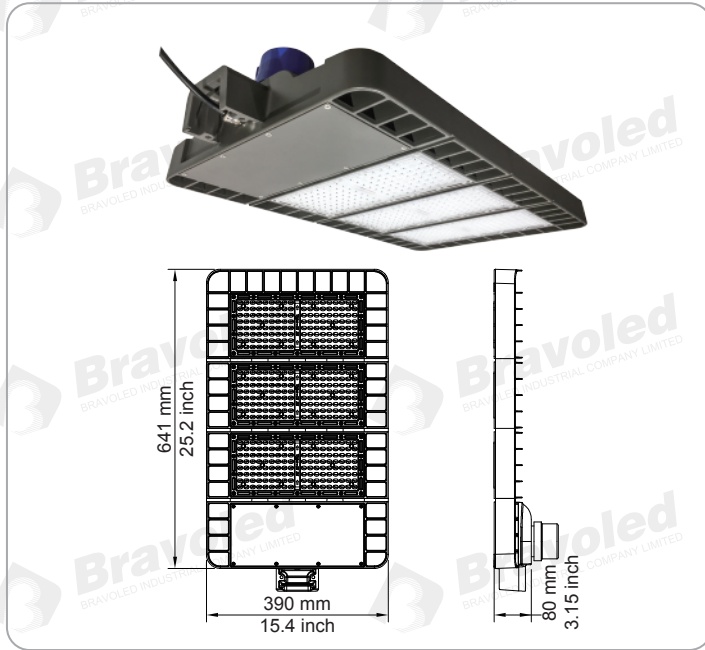


# BL-PKL-300W-120-III-50K-D-P



### Driver Info

Type:	Constant Current
120V:	Yes
277V:	Yes
480V:	N/A
Input Watts:	300W
Efficiency:	96%

### LED Info

Watts:	300W
Color Temp:	5000K
Color Accuracy:	70CRI
L70 Lifespan:	50000
Lumens:	37500
Efficacy:	125LPW

Specification parking lot light available in IES Type III distributions. For use in parking lots, Roadways, pathways and general area lightings. 5-years warranty.

Color: Bronze

Weight: 20.8lbs(9.43Kg)

## Technical Specifications

### Listings

#### ETL Listing:

Suitable for wet locations.  
ETL code: 4007551

#### DLC Listed

This product is on the Design Lights Consortium(DLC) Qualified Products List and is eligible for rebates from DLC Member Utilities.

#### IESNA LM-79 & IESNA LM-80 Testing:

This product has been tested by an independent laboratory in accordance with IESNA LM-79 and 80, and have received the Department of Energy" Lighting Facts" label.

### Electrical

#### Driver:

Constant Current, Class 2, 110-277Vac,50/60HZ, 0.95Amp@100Vac, Inventronics Brand.

#### THD:

<20%

#### Power Factor:

>0.95

#### Dimming Driver:

Driver includes dimming control wiring for 0-10V dimming systems, Requires separate 0-10V DC dimming circuit, Dims as low as 10%.

#### Photocell:

This product is equipped with socket for photocell.

#### Surge Protection:

6kV

### LED Characteristics

#### Lifespan:

50,000-hour LED lifespan based on IES LM-80 results and TM-21 calculations.

#### LEDs:

Long-life, high-efficiency SMD3030, patent free.

#### Color Stability:

Comply with DLC's requirements.

#### Color Uniformity

CCT(Correlated Color Temperature) follows the guidelines of the American National Standard for Specifications for the Chromaticity of Solid State Lighting( SSL) Products, ANSI C78.377-2015.

### Construction

#### IES Classification:

Type III Distribution.  
Optional of Type IV and Type V by different Models.

#### Cold Weather Starting:

Minimum starting temperature is -40°F(-40°C)

#### Ambient Temperature

Suitable for use in 104°F(40°C) ambient Temperatures.

#### Housing:

Precision die-cast aluminum housing.

#### Lens:

Clear acrylic lens with integrated optics

### Mounting:

Mounts to square poles, round poles or wall etc. by different type of adaptors.

#### IP Rating:

Wet Location.

#### Gaskets:

High Temperature silicone gaskets.

#### Finish:

Formulated for high-durability and long lasting color.

#### Green Technology:

Mercury and UV free RoHS compliant components  
Polyester powder coat finish formulated without the use of VOC or toxic heavy metals.

### Other

#### 5 Yr Limited Warranty:

Fixture operation and paint finish are covered for a period of 5 years.

#### Accessories options:

Photocell  
Shorting cap  
Mounting adaptors type A/B/C/F

### Order Information

BL	PKL	Wattage	Input Voltage	IES Type III/IV/V	CCT	D/N	P/N
BL	PKL	100W	120: 110-277Vac	III: TYPE III	40K: 4000K	D: Dim(0-10V)	P: W/ Photocell Socket
		150W	480: 277-480Vac	IV: TYPE IV	50K: 5000K	N: No dim	N: W/O Photocell Socket
		200W		V: TYPE V	57K: 5700K		
		240W					
		300W					
BL	PKL						

### Accessories

Photocell Options:



Photocell



Shorting Cap

Mounting Adaptor Options:



Type A: Slip Fitter



Type B: Square or Round Pole Mount



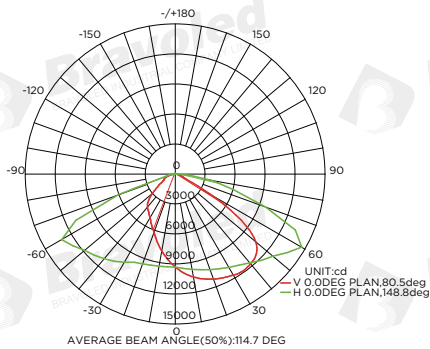
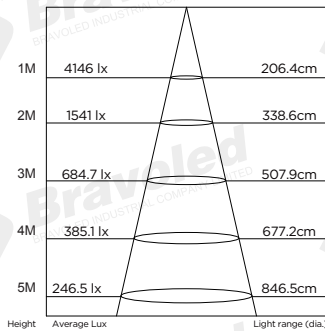
Type C: Trunnion



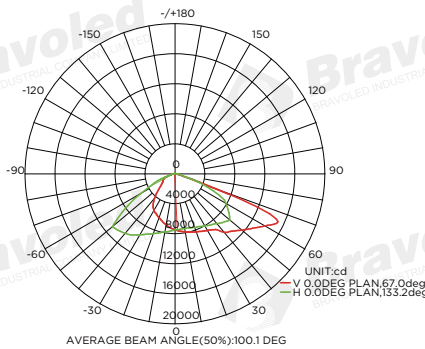
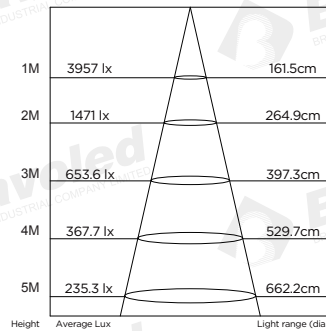
Type F: Wall Mount

### Lux Chart/Photometrics

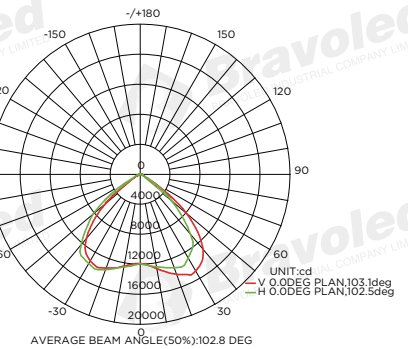
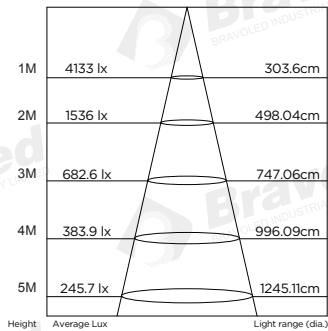
Type III



Type IV



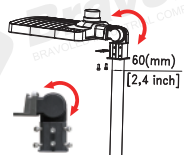
Type V



### Installation Options

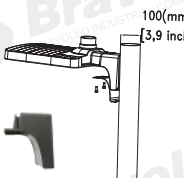
A: Slip Fitter

C: Trunnion



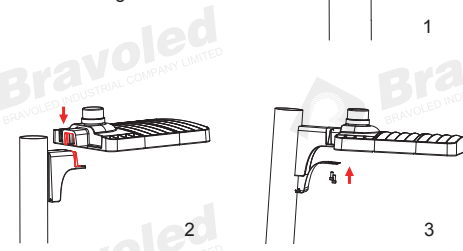
B: Square or Round Pole Mount

F: Wall Mount



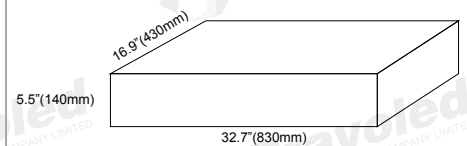
### Installation Steps

1. Install mount bracket on to pole
2. Set fixture on to mount bracket
3. Wire and tighten screws



### Packaging

1pcs/CTN G.W.:11.94 kg  
 Dimension: 32.7"L x 16.9"W x 5.5"H (830mm x 430mm x 140mm)



40'hq	1300 pcs
40'gp	1132 pcs
20'gp	560 pcs